

Lindab **DCS**

Installation instruction - UK  
Installations vejledning - DK  
Montageinstruktion - SE  
Asennusohje - FI  
Montageanleitung - DE  
Istruzioni di montaggio - IT  
Instructions de montage - FR

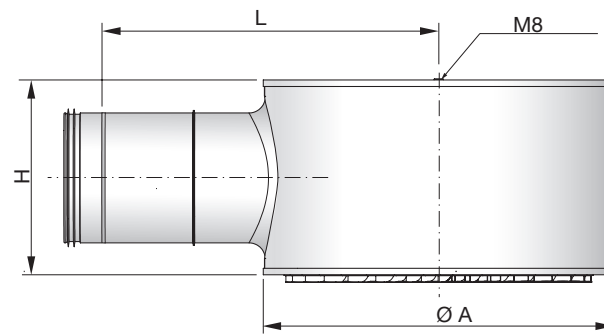
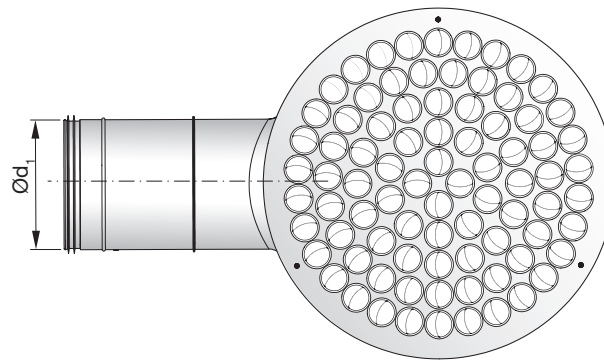


# DCS

Product  
 Produkt  
 Produkt  
 Tuote  
 Produkt  
 Prodotto  
 Produit



Dimensions  
 Dimensioner  
 Mått  
 Mitat  
 Maße  
 Dimensioni  
 Dimensions



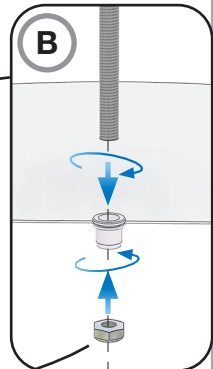
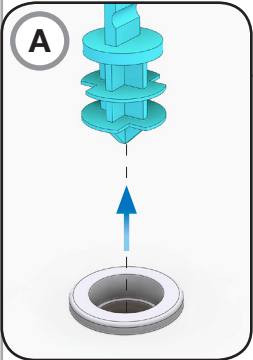
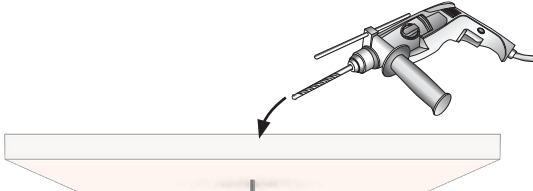
Ød <sub>1</sub> Size [mm]	ØA [mm]	Ød <sub>1</sub> [mm]	L [mm]	H [mm]	Weight [kg]
100	300	100	365	200	3,1
125	360	125	395	215	4,0
160	460	160	470	260	5,2
200	540	200	545	300	7,7
250	680	250	645	350	10,5
315	680	315	685	420	10,8

# DCS

uninstall faceplate  
 demontering af bundplade  
 avmontera frontplatta  
 Etulevyn irrotus  
 demontage der Frontplatte  
 Smontaggio del frontale  
 demontage de la façade

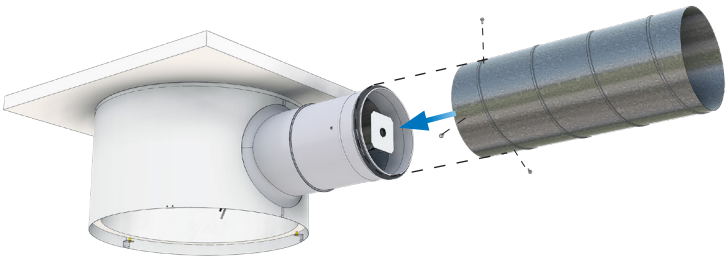
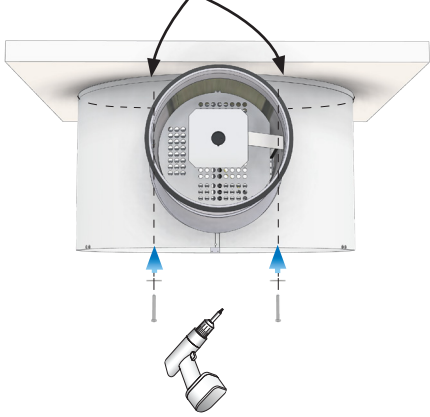
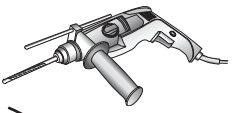


Mounting of DCS - with M8  
 Ophængning af DCS - med M8  
 Upphängning av DCS - med M8  
 Kannakointi DCS - M8:n kanssa  
 Montage des DCS - mit M8  
 Montaggio di DCS - con M8  
 Montage de DCS - avec M8



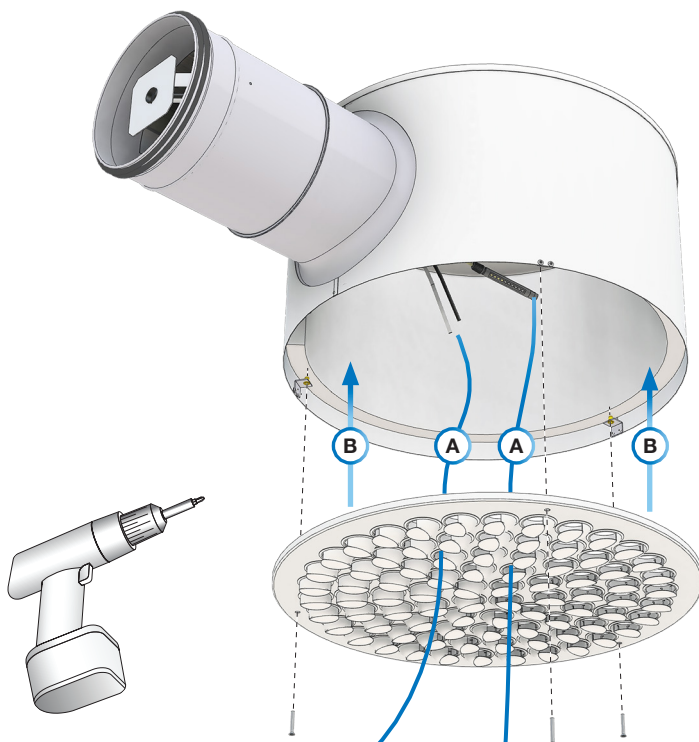
Mounting of DCS  
 Ophængning af DCS  
 Upphängning av DCS  
 Kannakointi DCS  
 Montage des DCS  
 Montaggio di DCS  
 Montage de DCS

Directly against ceiling  
 Direkte mod loft  
 Dikt mot tak  
 Suoraan kattopintaan  
 Direkt an die Decke  
 Direttamente a soffitto  
 Directment contre le plafond



# DCS

Balancing  
 Indregulering  
 Injustering  
 Säätöohjeet  
 Einregulierung  
 Bilanciamento  
 Réglage



**1**

$\Delta p_i$

1 + 2 + 3 + 4

Open / closed damper  
 Åpent / lukket spjæld  
 Öppet / Stängt spjäll  
 Säätöpeltti auki / kiinni  
 Geöffnete / Geschlossene Drossel  
 Serranda aperta / chiusa  
 Registre ouvert / fermé  
 Nyitott / zárt szabályozó

9 0

**2**

DCS Dim	K-Factor
100	4.14
125	6.59
160	11.3
200	18.0
250	29.9
315	49.9

**3**

$$q_v \text{ [l/s]} = k \times \sqrt{\Delta p_i}$$

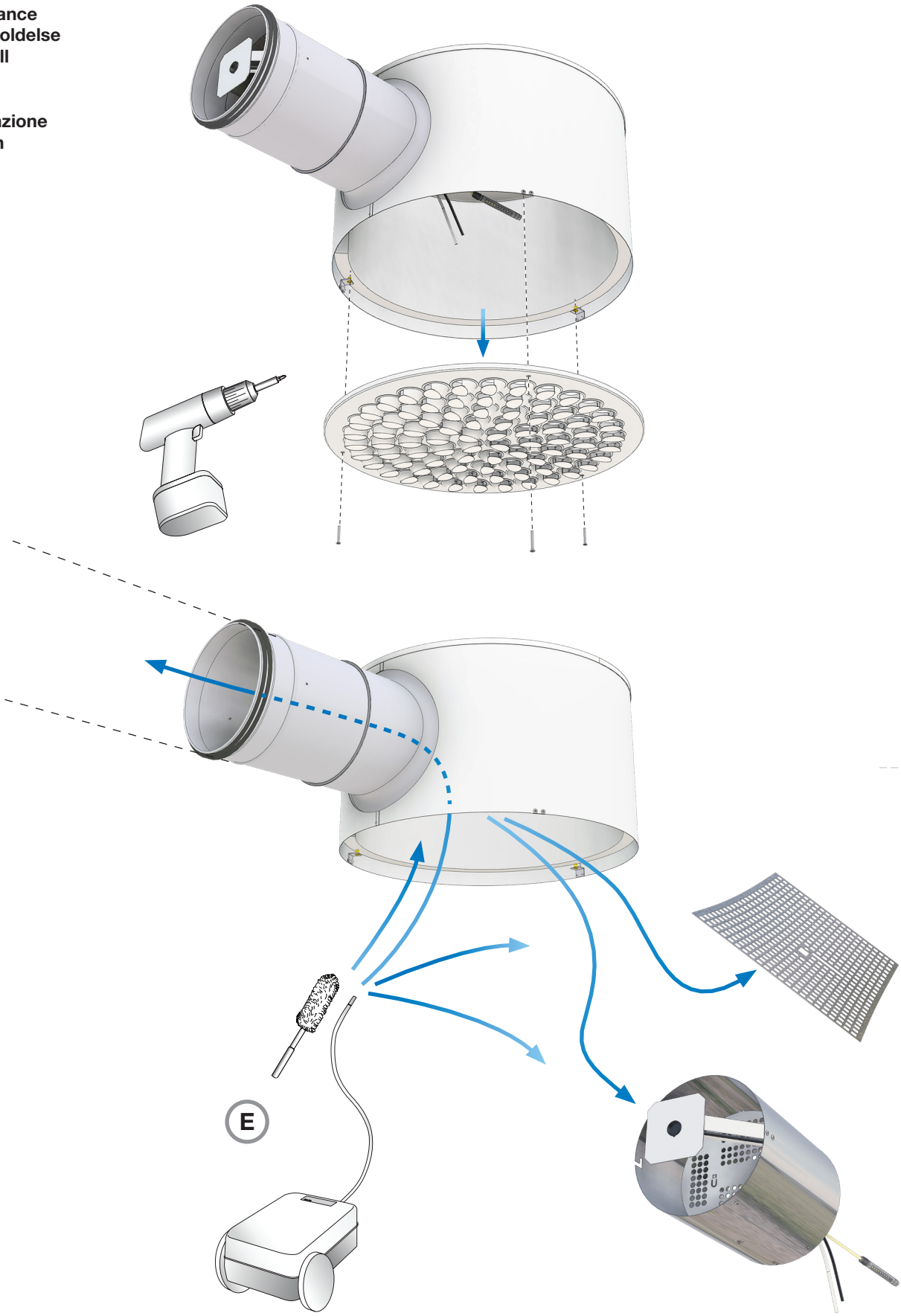
$$\Delta p_i = (q_v / k)^2$$

$$q_v \text{ [m}^3\text{/h]} = q_v \text{ [l/s]} \times 3,6$$

**4**

# DCS

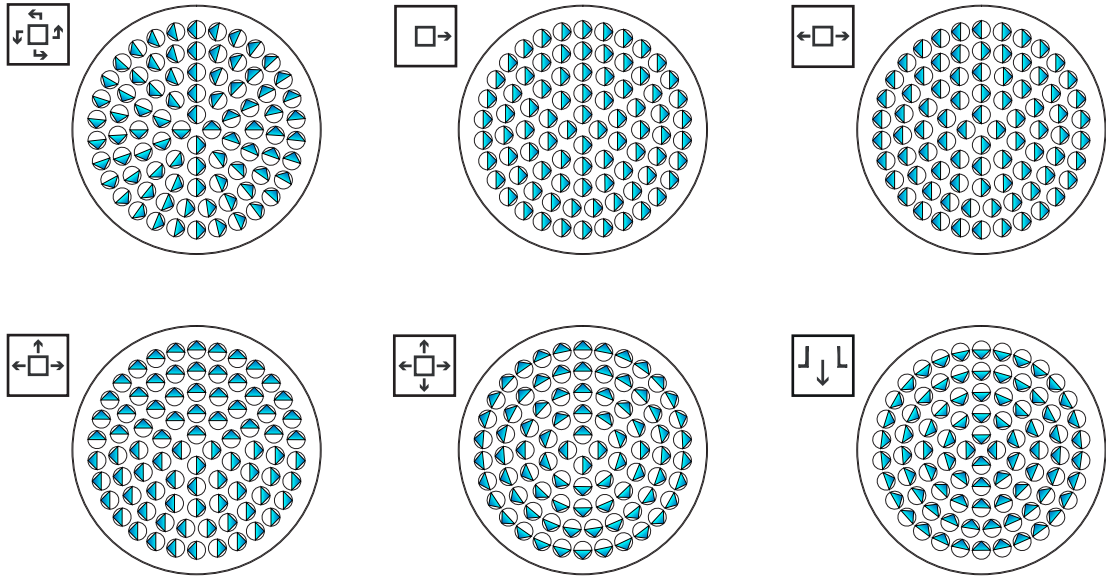
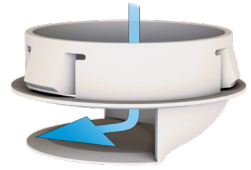
Maintenance  
 Vedligeholdelse  
 Underhåll  
 Huolto  
 Wartung  
 Manutenzione  
 Entretien



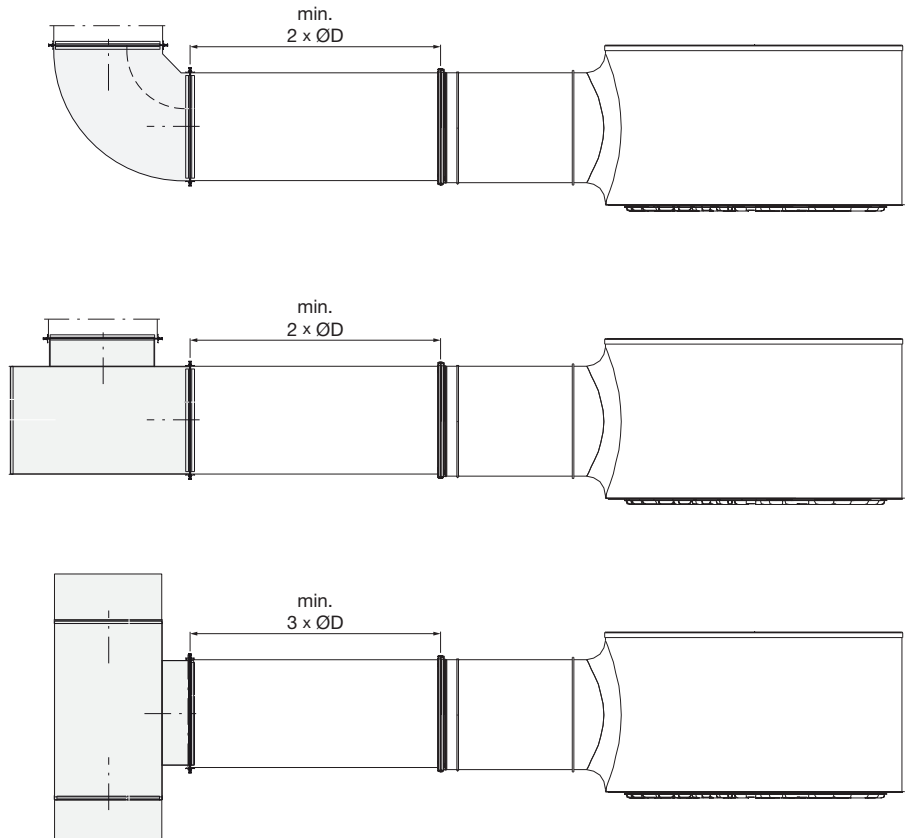
# DCS

**Air patterns**  
**Luftmønstre**  
**Dysinställning**  
**Suuttimien säätö**  
**Luftführung**  
**Tipologia di lancio**  
**Configuration de diffusion**

1. Rotation
2. 1-way
3. 2-way
4. 3-way
5. 4-way
6. Vertical supply



**Min. distances**  
**Min. distance**  
**Min. distans**  
**Min. etäisyys**  
**Min. Entfernung**  
**Min. distanza**  
**Min. distance**





Most of us spend the majority of our time indoors. Indoor climate is crucial to how we feel, how productive we are and if we stay healthy.

We at Lindab have therefore made it our most important objective to contribute to an indoor climate that improves people's lives. We do this by developing energy-efficient ventilation solutions and durable building products. We also aim to contribute to a better climate for our planet by working in a way that is sustainable for both people and the environment.

[Lindab](#) | For a better climate