

# Motorized shut-off damper

# DTBU



## Description

### Shut-off damper with electric motor.

Consists of a DTU damper with a 24 or 230 V electric motor added. Ø900 and 1000 has two motors.

The motor is controlled by a single-pole breaking contact. The motor has overload protection and stops automatically when the blade has reached its end stop. The stop can be continually adjusted. Although the current is connected, the motor is not damaged if blocked.

The spindle and motor can be disconnected from each other via a release button on the motor housing.

In outdoor installation, the motor should be protected from direct UV radiation.

The motor is installed at a distance from the damper, which makes it easy to insulate the ventilation duct.

There is a separate assembly, measuring, balancing and maintenance instruction for this product.

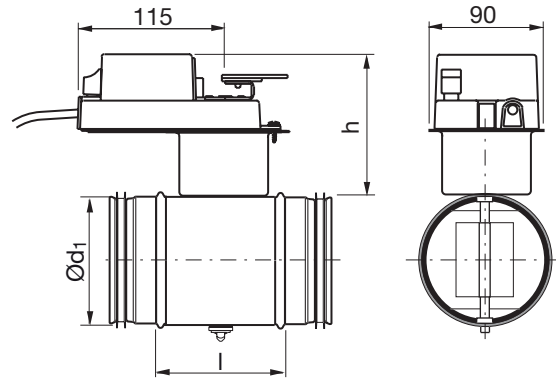
...

## Ordering example

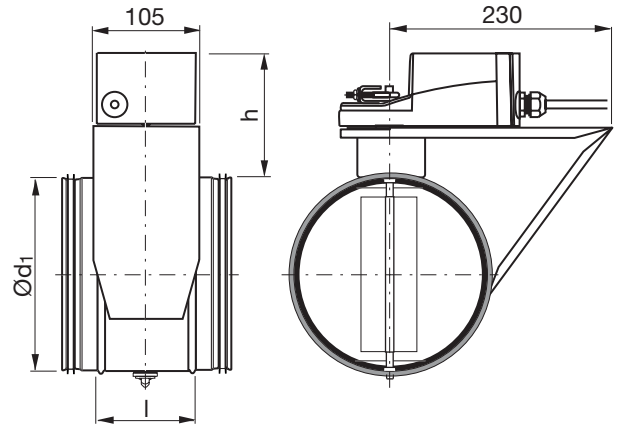
	<b>DTBU</b>	<b>315</b>	<b>24</b>	<b>LM</b>
Product				
Dimension Ød <sub>1</sub>				
Voltage				
Motor type				

## Dimensions

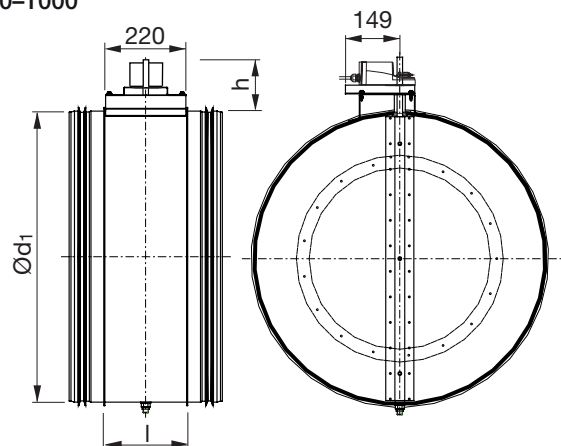
### Ø80-500



### Ø630



### Ø710-1000



# Motorized shut-off damper

# DTBU

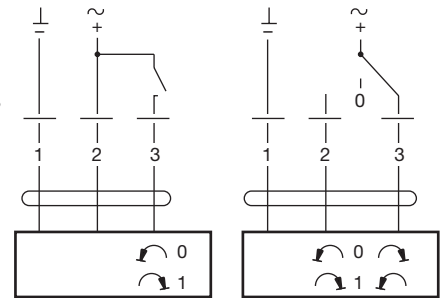
## Dimensions

Ød <sub>1</sub> nom	l [mm]	h [mm]	m [kg]	Motor type	Sealing class past closed blade	Pressure class in closed posi- tion
80	100	107	1,00	LM	4	C
100	100	107	1,08	LM	4	C
125	100	107	1,23	LM	4	C
160	100	107	1,44	LM	4	C
200	100	107	1,74	LM	4	C
250	100	107	2,22	LM	4	C
315	100	107	2,84	LM	4	C
400	100	105	4,59	NM	4	B
500	115	105	7,29	NM	4	B
630	115	120	10,5	SM	4	B
710	230	140	19,9	GM	4	A
800	230	140	22,4	GM	4	A
900	230	193	31,0	GM (2×)	4	A
1000	230	193	36,0	GM (2×)	4	A

## Technical data for the motors

### LM motor

	<b>LM 24 A-F</b>	<b>LM 230 A-F</b>
Power supply .....	AC 19,2–28,8 V, 50/60 Hz DC 19,2–28,8 V	AC 65–265 V, 50/60 Hz
Power consumption .....	1 W	1,5 W
For wire sizing .....	2 VA	4 VA
Connection .....	Cable 1 m, 3×0,75 mm <sup>2</sup>	Cable 1 m, 3×0,75 mm <sup>2</sup>
Operating angle .....	Max. 95°, adjustable 0–100%	Max. 95°, adjustable 0–100%
Torque at rated voltage .....	Min. 5 Nm	Min. 5 Nm
Direction of rotation .....	Switch selectable 0 ↺ or 1 ↻	Switch selectable 0 ↺ or 1 ↻
Position indication .....	Mechanical	Mechanical
Running time for 95° .....	150 s	150 s
Sound power level .....	Max. 35 dB (A)	Max. 35 dB (A)
Protection class .....	III Safety extra-low voltage	II Safety insulated
Protection type .....	IP 54	IP 54
Ambient temperature range .....	-30 to +50°C	-30 to +50°C
Ambient moisture .....	95 % RH	95 % RH

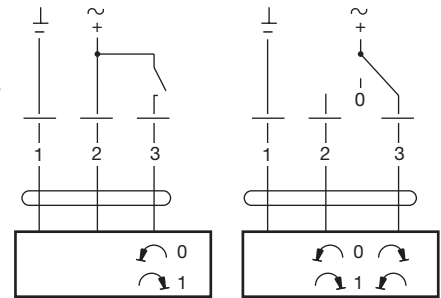


# Motorized shut-off damper

# DTBU

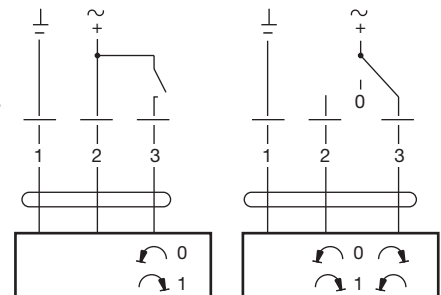
## NM motor

	<b>NM 24 A-F</b>	<b>NM 230 A-F</b>
Power supply .....	AC 19,2–28,8 V, 50/60 Hz DC 19,2–28,8 V	AC 85–265 V, 50/60 Hz
Power consumption .....	1,5 W	2,5 W
For wire sizing .....	3,5 VA	6 VA
Connection .....	Cable 1 m, 3x0,75 mm <sup>2</sup>	Cable 1 m, 3x0,75 mm <sup>2</sup>
Operating angle .....	Max. 95°, adjustable 0–100%	Max. 95°, adjustable 0–100%
Torque at rated voltage .....	Min. 10 Nm	Min. 10 Nm
Direction of rotation .....	Switch selectable 0 ↺ or 1 ↻	Switch selectable 0 ↺ or 1 ↻
Position indication.....	Mechanical	Mechanical
Running time for 95° .....	150 s	150 s
Sound power level.....	Max. 35 dB (A)	Max. 35 dB (A)
Protection class .....	III Safety extra-low voltage	II Safety insulated
Protection type.....	IP 54	IP 54
Ambient temperature range.....	-30 to +50°C	-30 to +50°C
Ambient moisture.....	95 % RH	95 % RH



## SM motor

	<b>SM 24 A</b>	<b>SM 230 A</b>
Power supply .....	AC 19,2–28,8 V, 50/60 Hz DC 19,2–28,8 V	AC 85–265 V, 50/60 Hz
Power consumption .....	2 W	2,5 W
For wire sizing .....	4 VA	6 VA
Connection .....	Cable 1 m, 3x0,75 mm <sup>2</sup>	Cable 1 m, 3x0,75 mm <sup>2</sup>
Operating angle .....	Max. 95°, adjustable 0–100%	Max. 95°, adjustable 0–100%
Torque at rated voltage.....	Min. 20 Nm	Min. 20 Nm
Direction of rotation.....	Switch selectable 0 ↺ or 1 ↻	Switch selectable 0 ↺ or 1 ↻
Position indication.....	Mechanical	Mechanical
Running time for 95° .....	150 s	150 s
Sound power level .....	Max. 35 dB (A)	Max. 35 dB (A)
Protection class .....	III Safety extra-low voltage	II Safety insulated
Protection type.....	IP 54	IP 54
Ambient temperature range.....	-30 to +50°C	-30 to +50°C
Ambient moisture.....	95 % RH	95 % RH



# Motorized shut-off damper

# DTBU

## GM motor

	<b>GM 24 A</b>	<b>GM 230 A</b>
Power supply .....	AC 19,2–28,8 V, 50/60 Hz DC 19,2–28,8 V	AC 85–265 V, 50/60 Hz
Power consumption .....	4,5 W	4,5 W
For wire sizing .....	7 VA	7 VA
Connection .....	Cable 1 m, 3x0,75 mm <sup>2</sup>	Cable 1 m, 3x0,75 mm <sup>2</sup>
Operating angle .....	Max. 95°, adjustable 0–100%	Max. 95°, adjustable 0–100%
Torque at rated voltage .....	Min. 40 Nm	Min. 40 Nm
Direction of rotation .....	Switch selectable 0 ↺ or 1 ↻	Switch selectable 0 ↺ or 1 ↻
Position indication .....	Mechanical	Mechanical
Running time for 95° .....	150 s	150 s
Sound power level .....	Max. 45 dB (A)	Max. 45 dB (A)
Protection class .....	III Safety extra-low voltage	II Safety insulated
Protection type .....	IP 54	IP 54
Ambient temperature range .....	-30 to +50 °C	-30 to +50 °C
Ambient moisture .....	95 % RH	95 % RH

